

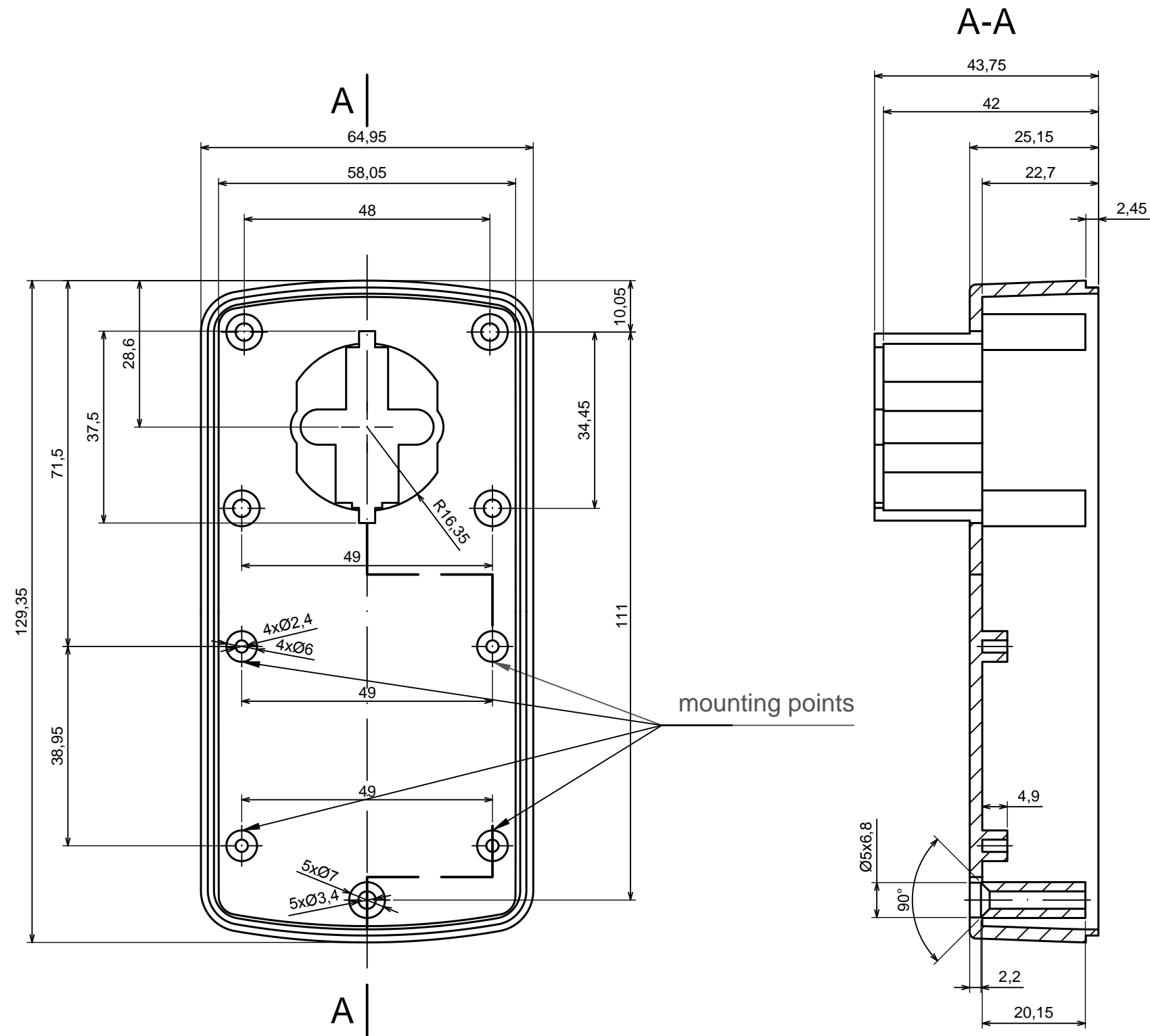
All rights reserved, Copyright Kradex 2016

Product model	Enclosure Z120 - assembly
---------------	---------------------------

Format: A3	Material: PS, ABS
------------	-------------------

Scale 1:1	Tolerance: +/- 0.5
-----------	--------------------





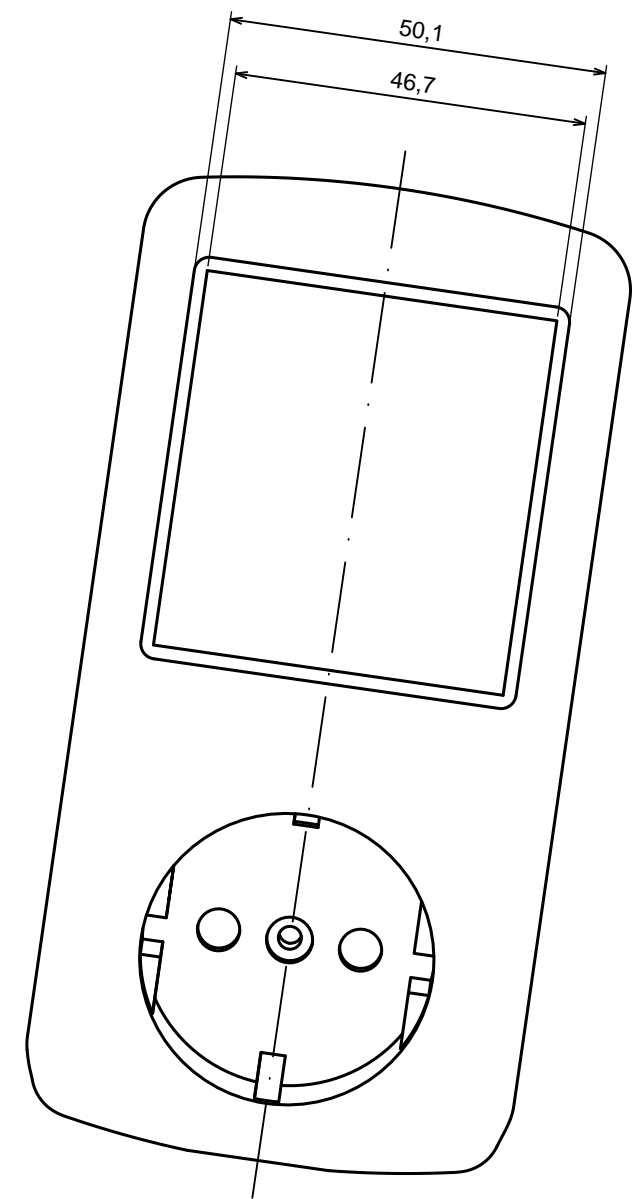
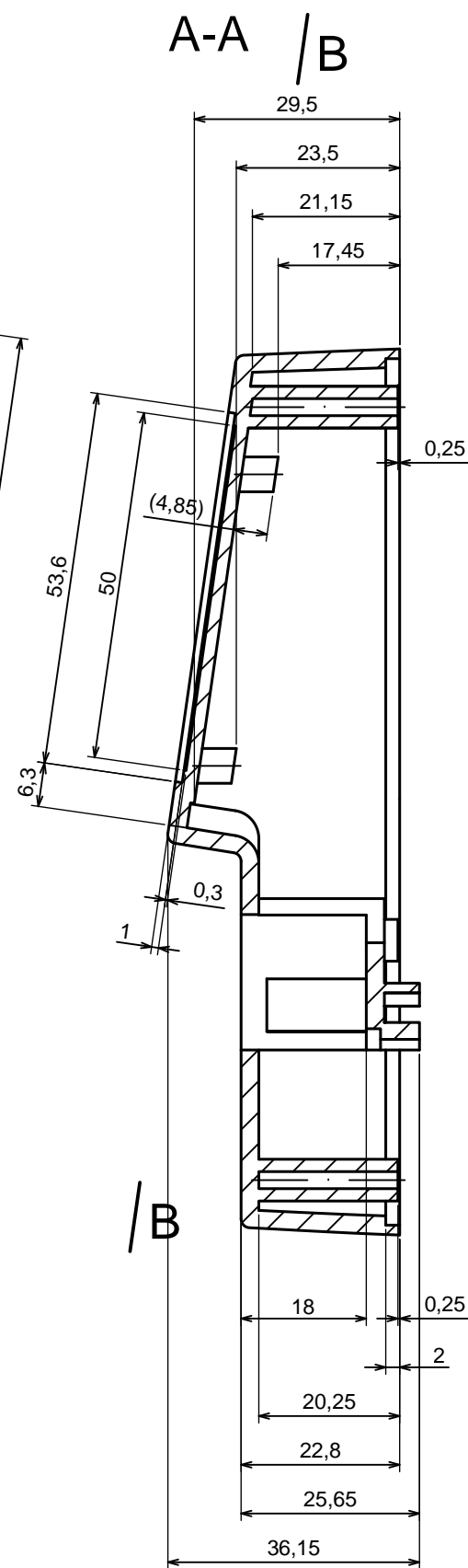
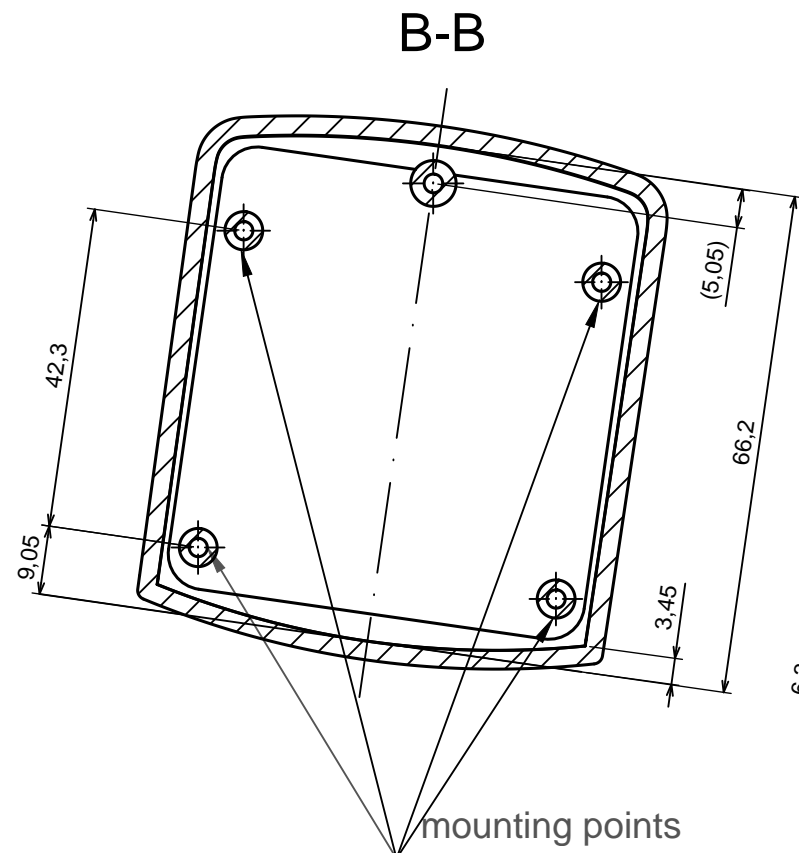
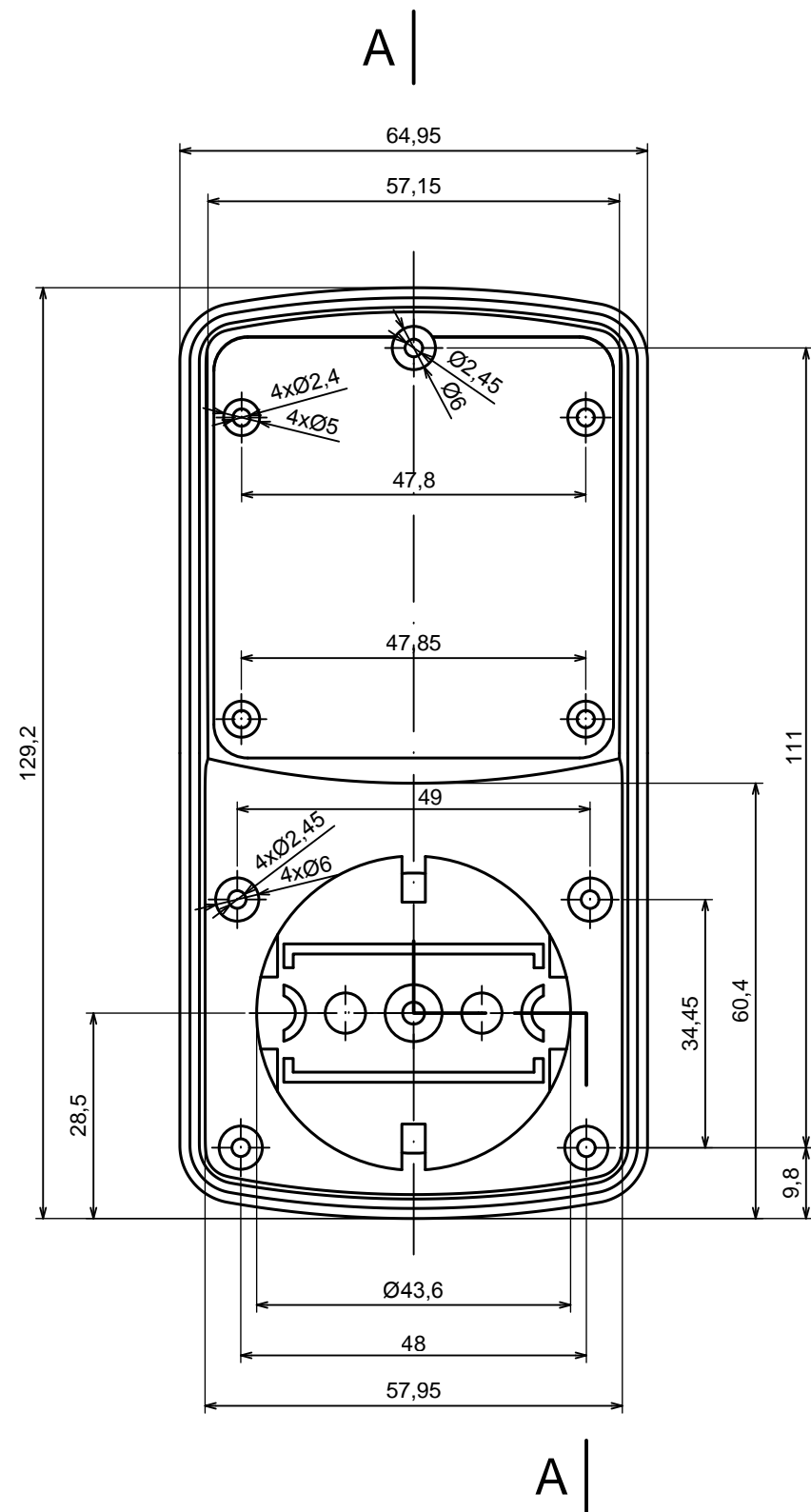
All rights reserved, Copyright Kradox 2016

Product model    Enclosure Z120 - base

Format: A3    Material: PS, ABS

Scale 1:1    Tolerance: +/- 0.5





All rights reserved, Copyright Kradox 2016

Product model Enclosure Z120 - cover

Format: A3 Material: PS, ABS

Scale 1:1 Tolerance: +/- 0.5

