
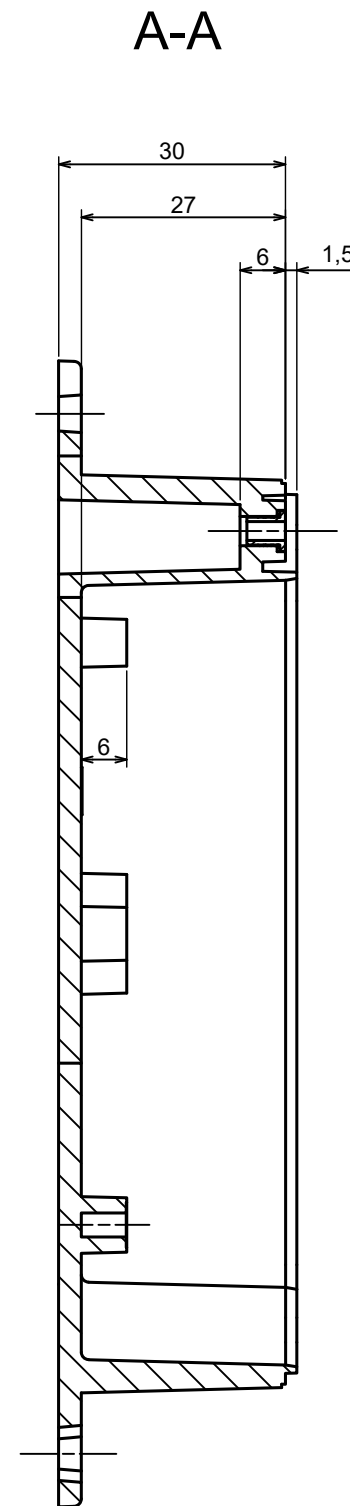
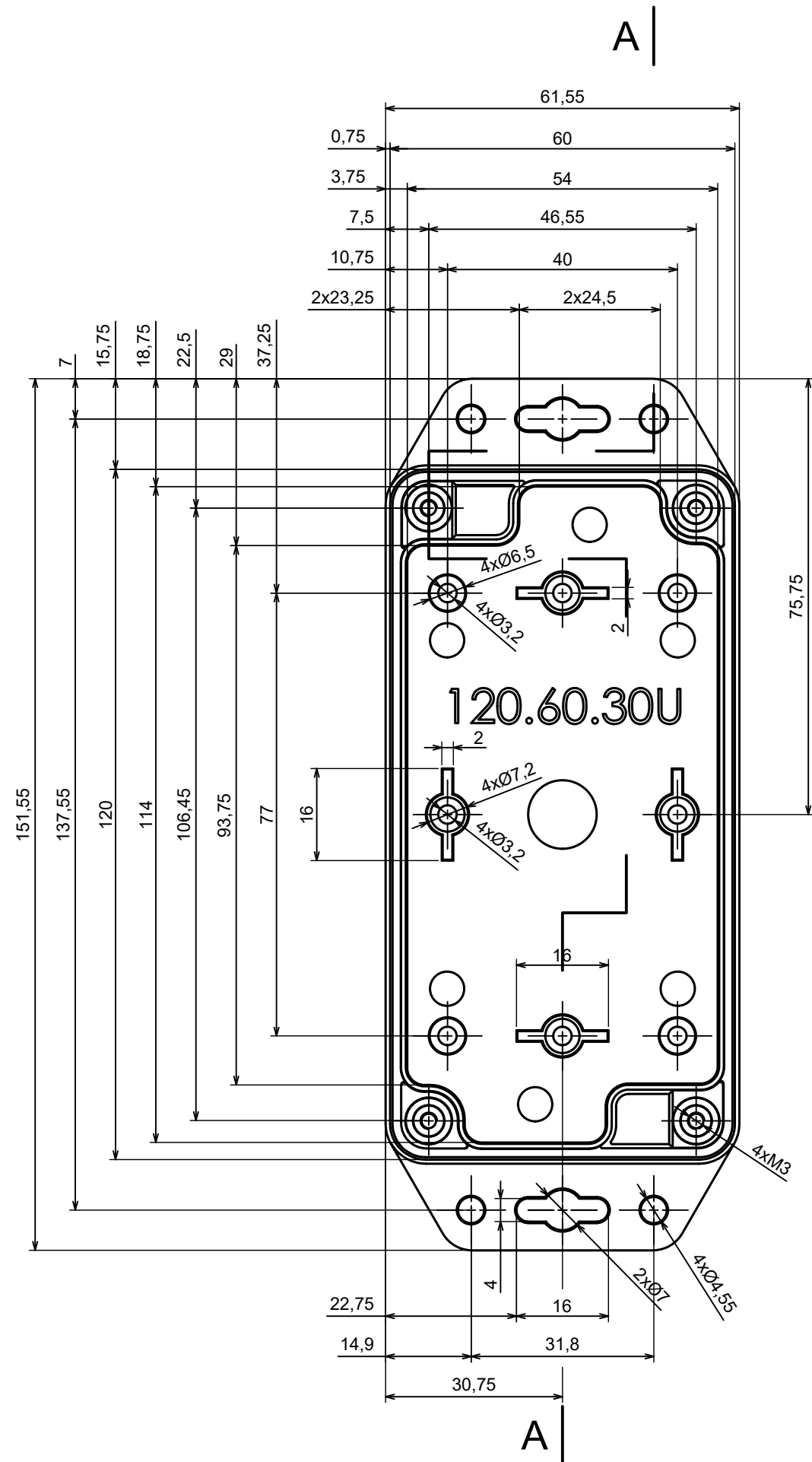


|  |                                      |   |
|--|--------------------------------------|---|
| All rights reserved, Copyright Kradox 2024 |                                      |   |
| Product model                              | Enclosure ZP120.60.45U TM - Assembly |   |
| Format: A3                                 | Material: PC, ABS                    |  |
| Scale 1:1                                  | Tolerance: +/- 0.5                   |   |



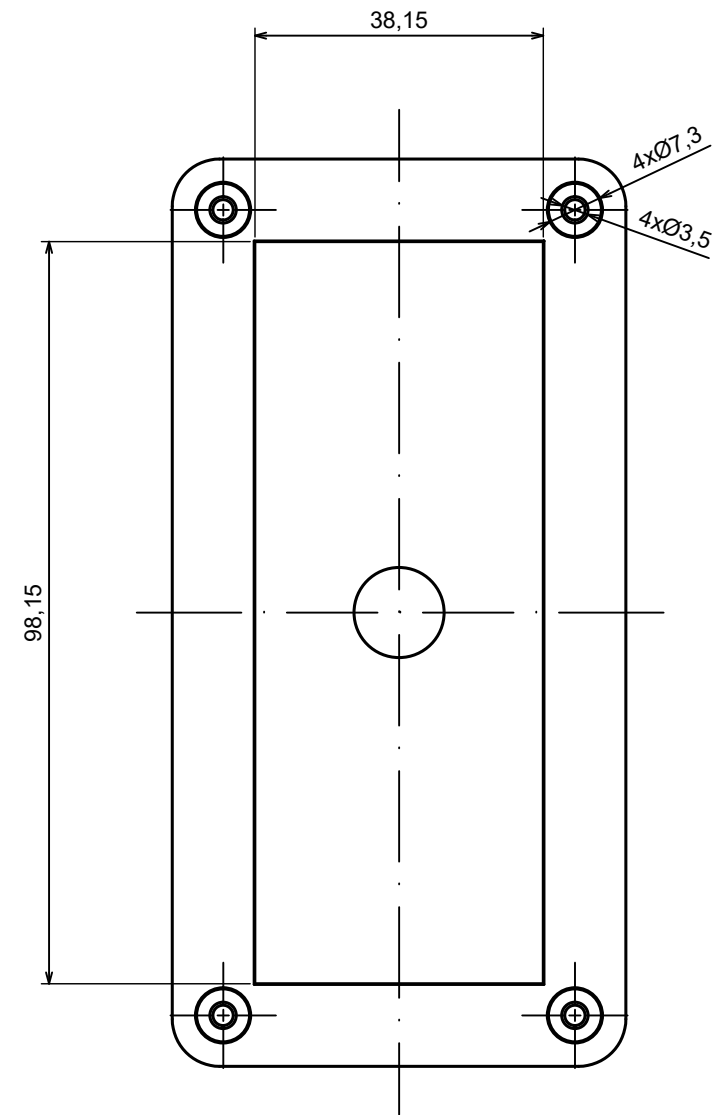
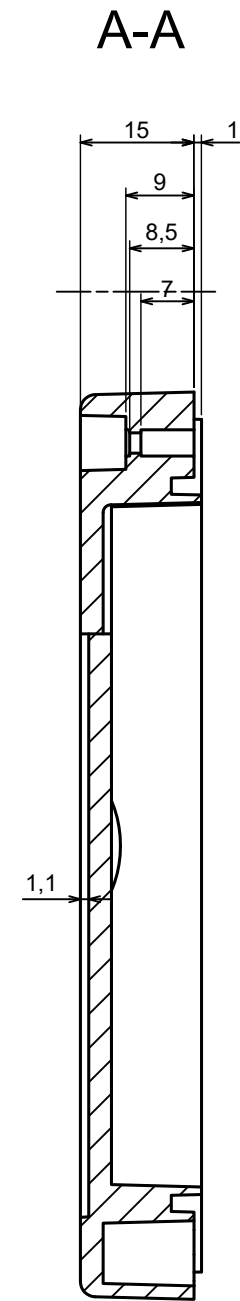
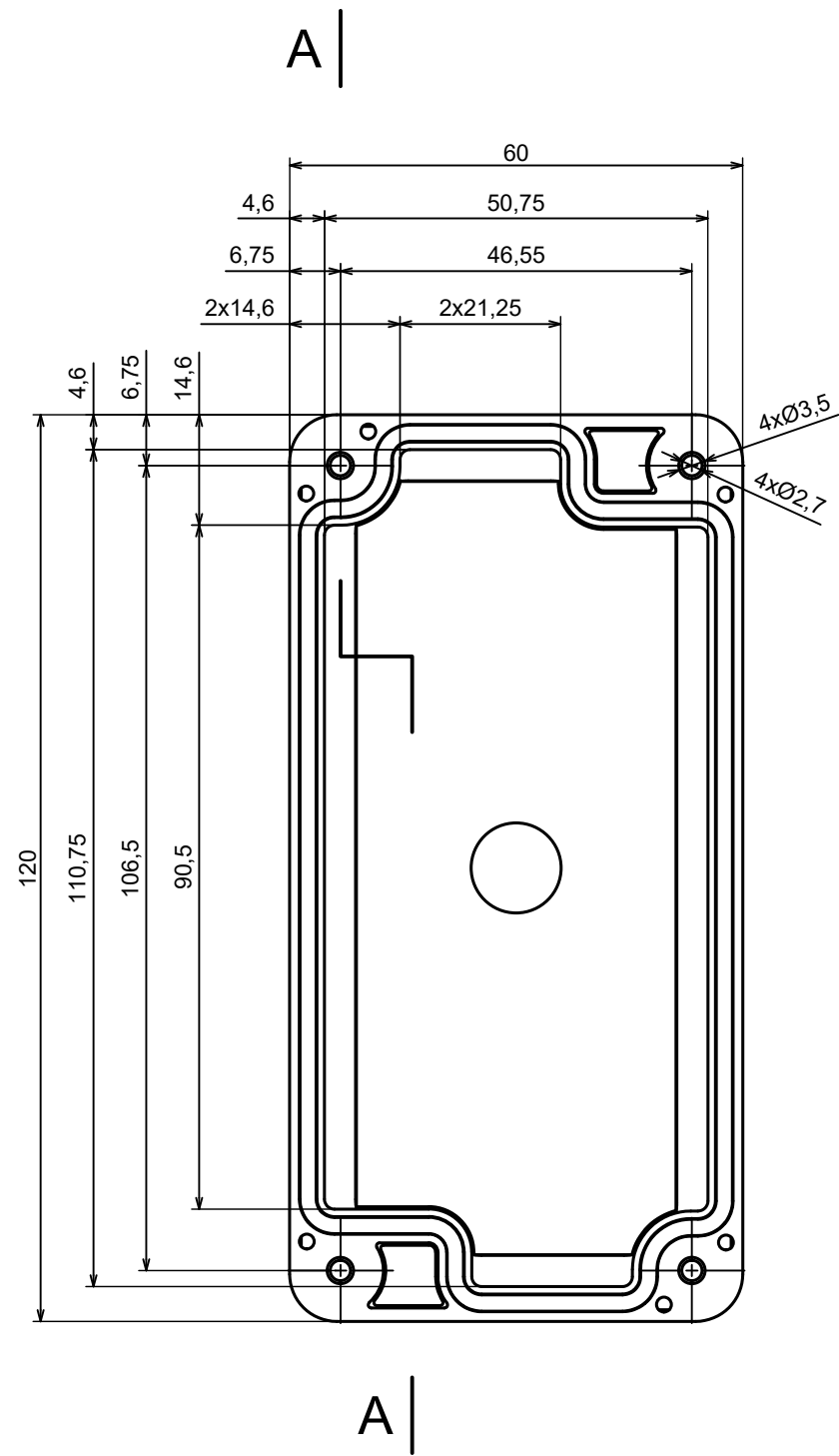
All rights reserved, Copyright Kradox 2024

Product model: Enclosure ZP120.60.45U TM - Base ZP120.60.30U TM

Format: A3 Material: PC, ABS

Scale 1:1 Tolerance: +/- 0.5





All rights reserved, Copyright Kradox 2024

Product model

Enclosure ZP120.60.45U TM - Cover ZP120.60.15

Format: A3

Material: PC, ABS

Scale 1:1

Tolerance: +/- 0.5

