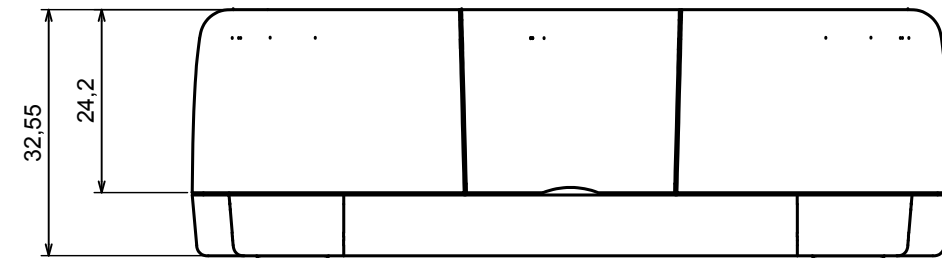
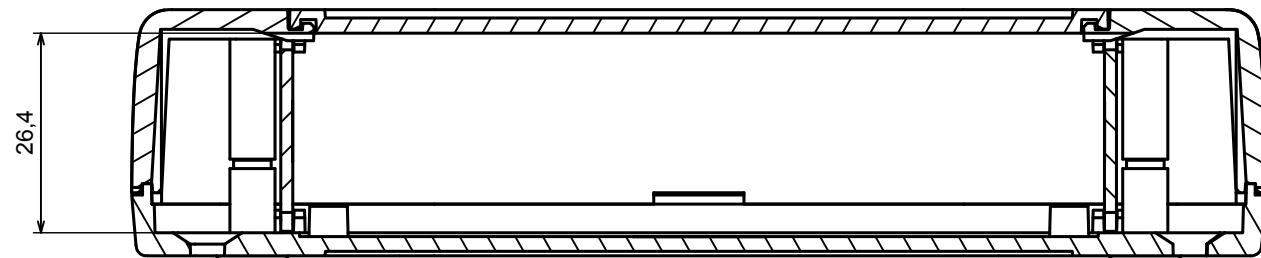
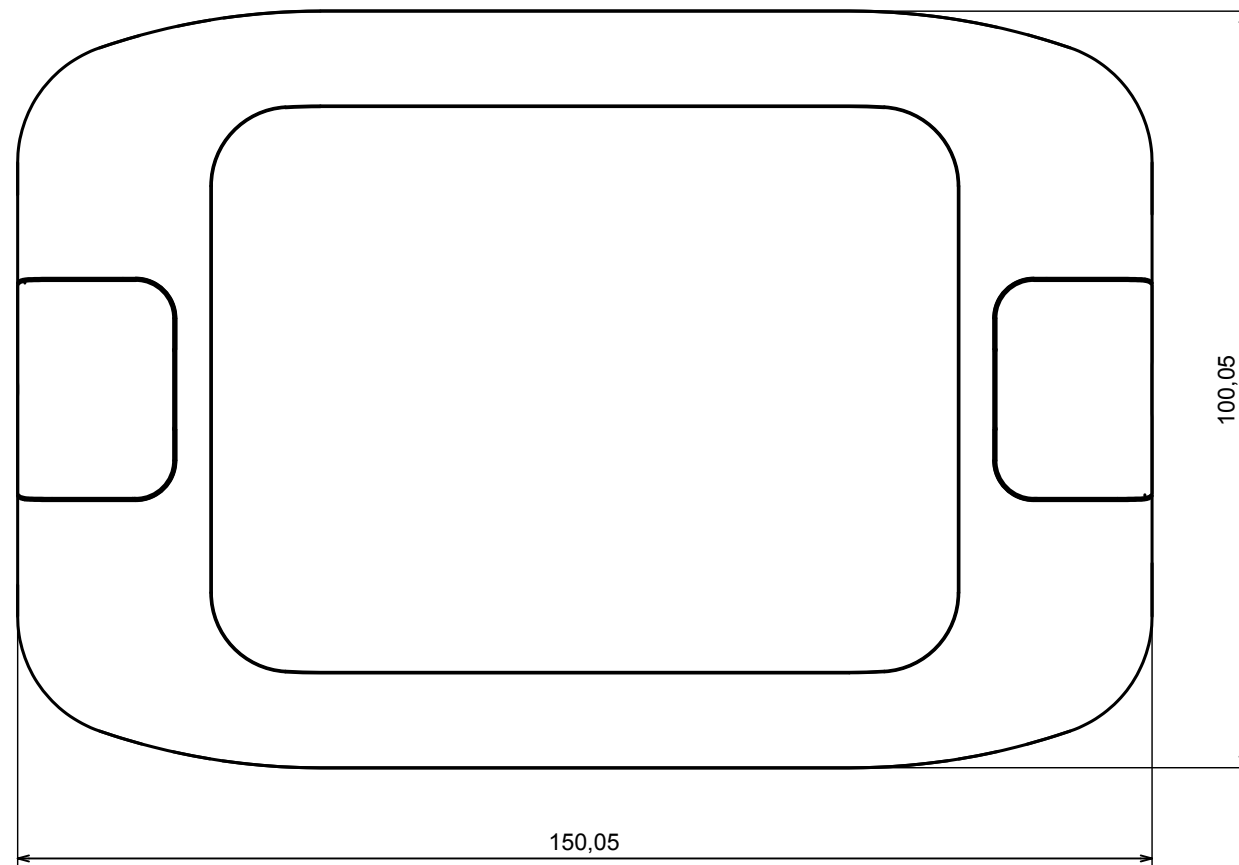



A-A

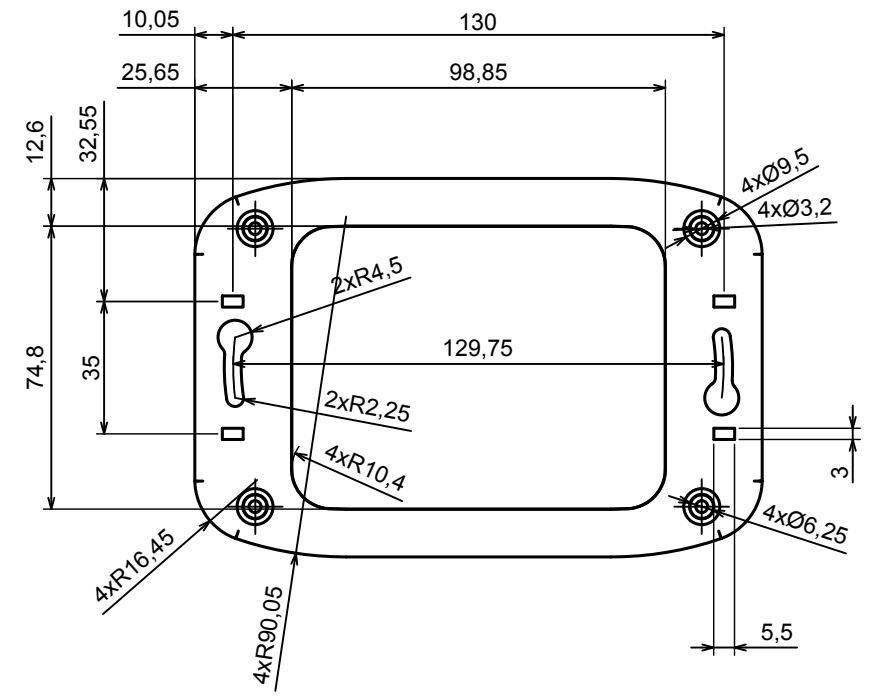
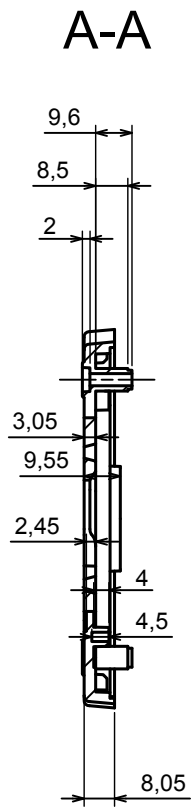
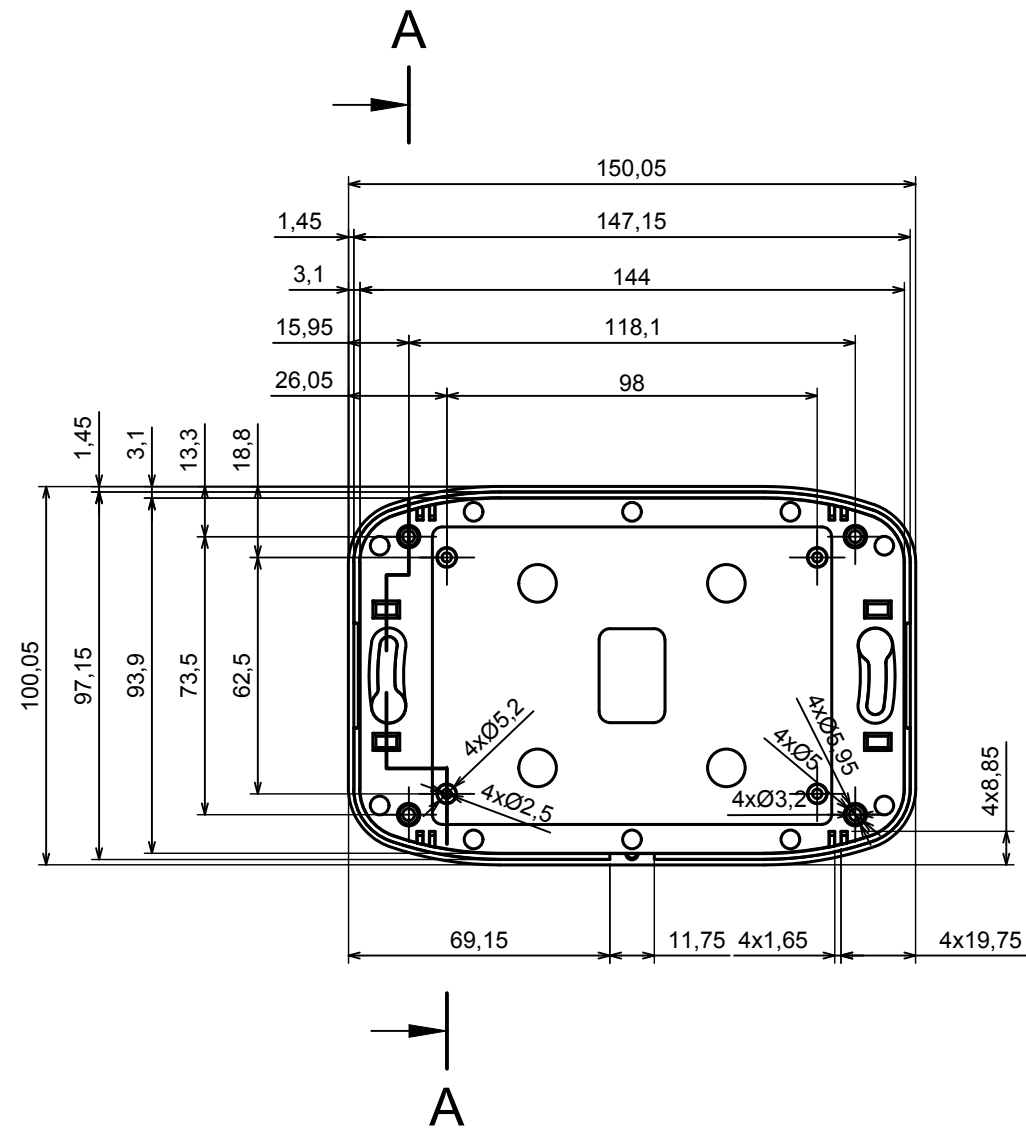



A

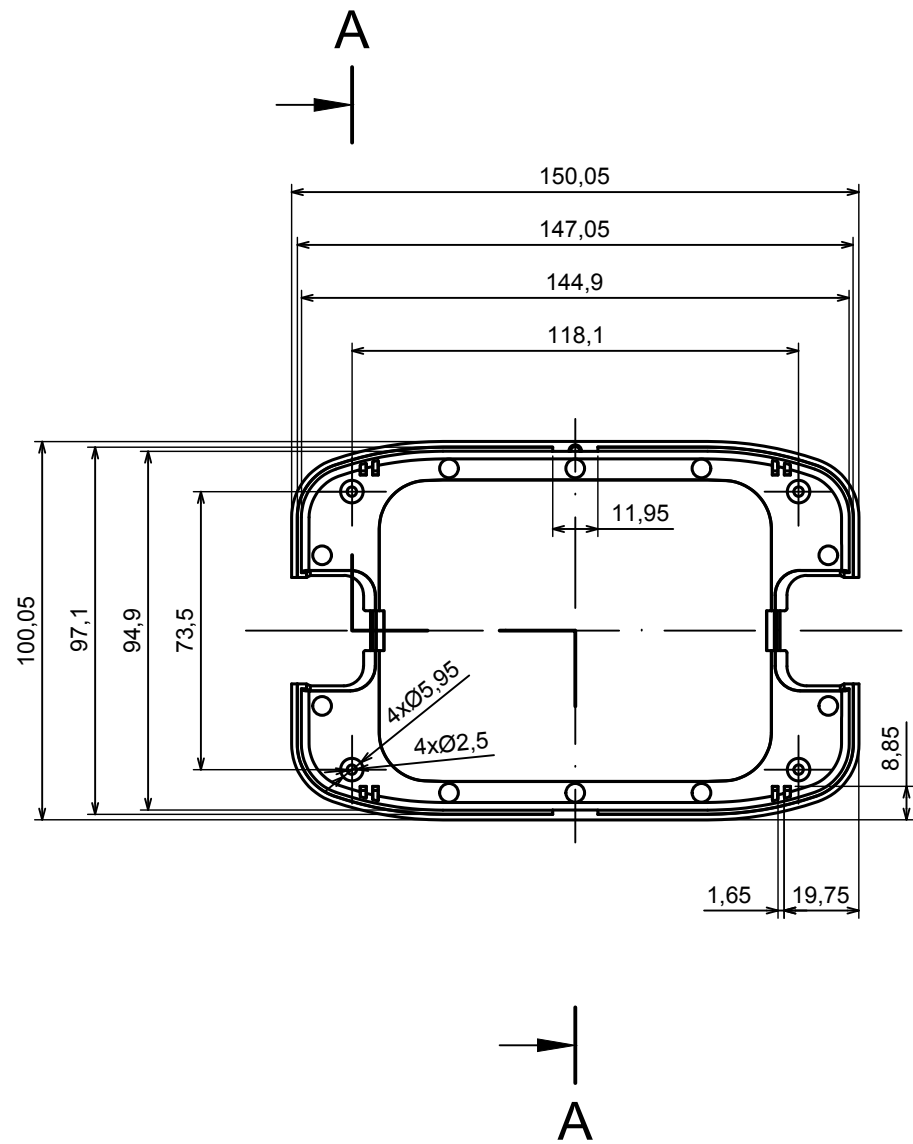


A

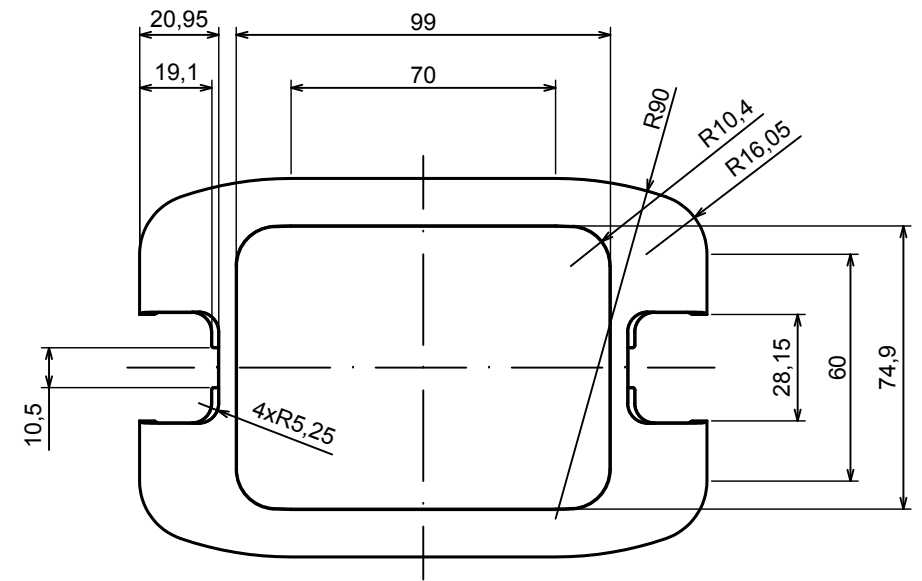
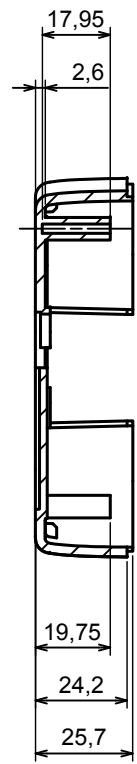
| | | |
|--|-----------------------------------|---|
| All rights reserved. Copyright Kradox 2022 | | |
| Product model | Enclosure ZM150.100.33 - Assembly | |
| Format: A3 | Material: ABS |  |
| Scale 1:1 | Tolerance: +/- 0,3 | |



| | | |
|--|-------------------------------|---|
| All rights reserved. Copyright Kradex 2022 | | |
| Product model | Enclosure ZM150.100.33 - Base | |
| Format: A3 | Material: ABS |  |
| Scale 1:2 | Tolerance: +/- 0,3 | |



A-A



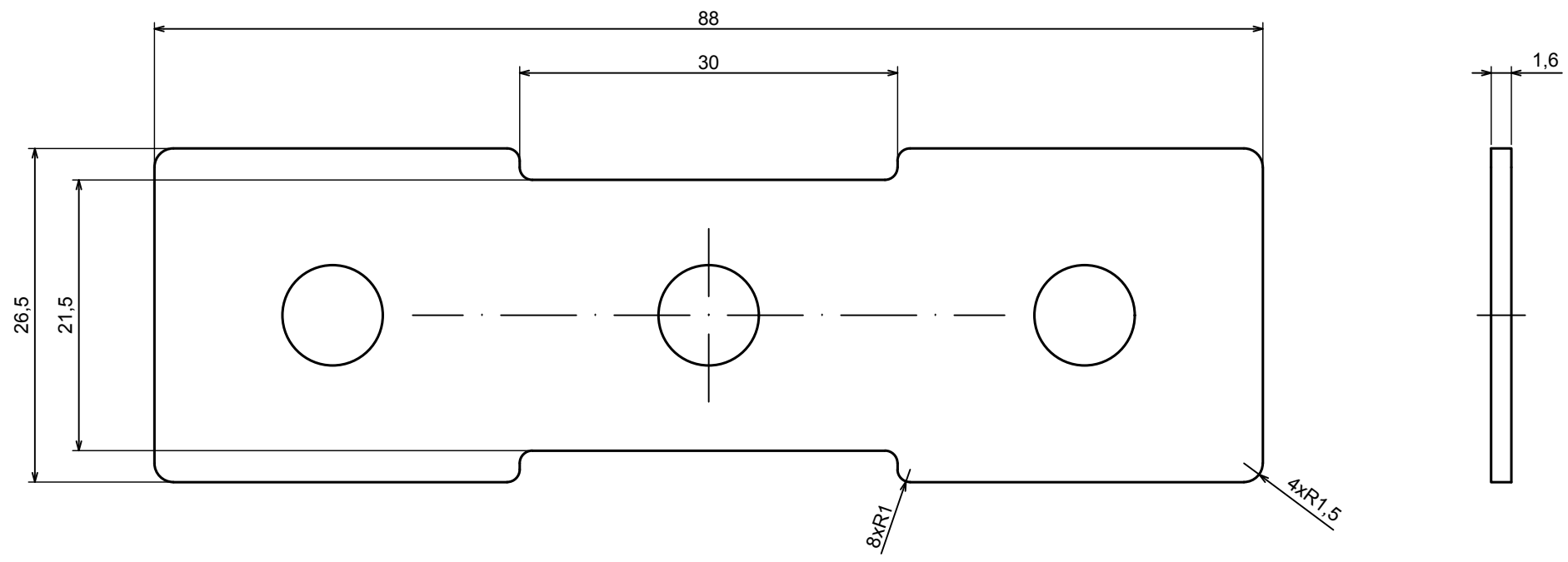
All rights reserved. Copyright Kradox 2022


Product model Enclosure ZM150.100.33 - Cover

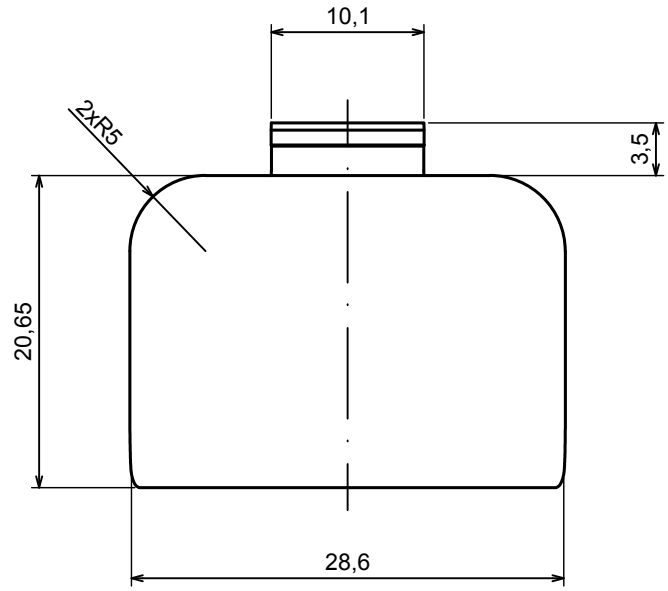
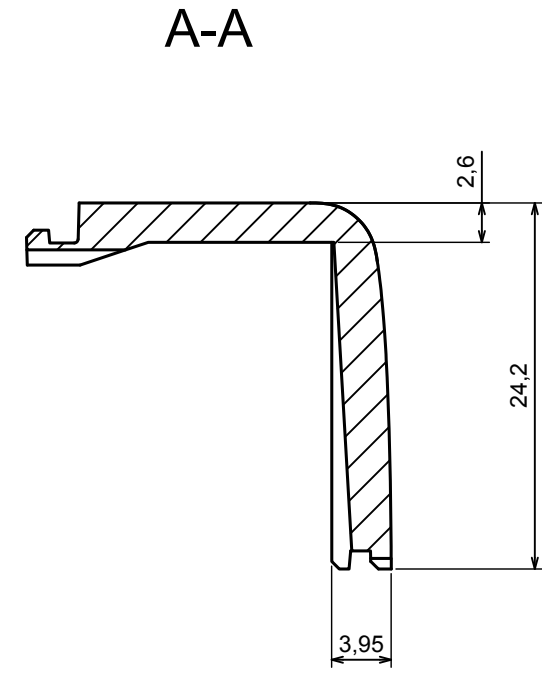
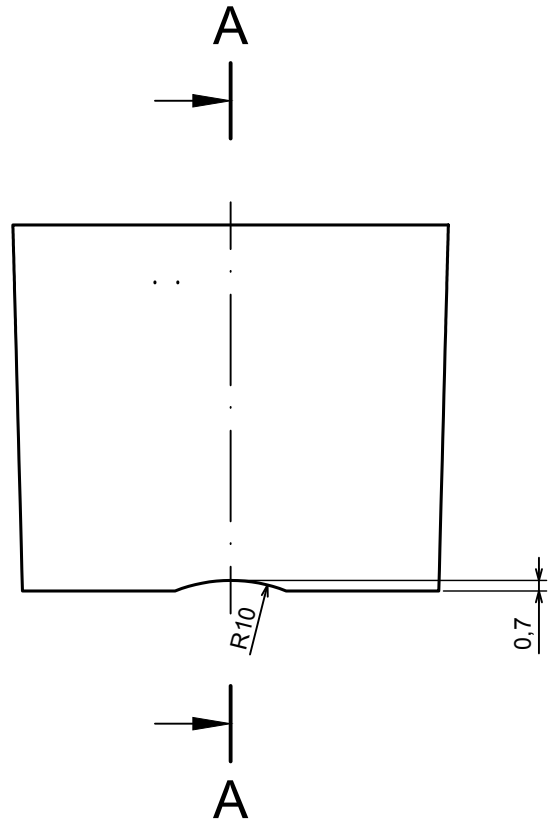
Format: A3 Material: ABS


Scale 1:2 Tolerance: +/- 0,3





| | | |
|--|--|---|
| All rights reserved. Copyright Kradex 2022 | | |
| Product model | Enclosure ZM150.100.33 - Partition Plate | |
| Format: A3 | Material: ABS |  |
| Scale 2:1 | Tolerance: +/- 0,3 | |



| | | |
|--|------------------------------|---|
| All rights reserved. Copyright Kradex 2022 | | |
| Product model | Enclosure ZM150.100.33 - Cap | |
| Format: A3 | Material: ABS |  |
| Scale 2:1 | Tolerance: +/- 0,3 | |