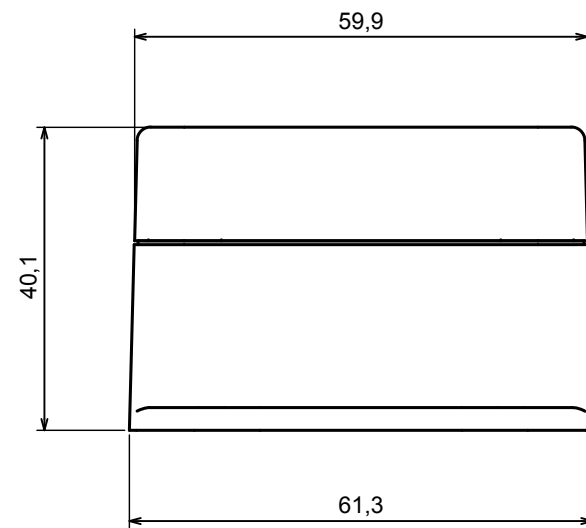
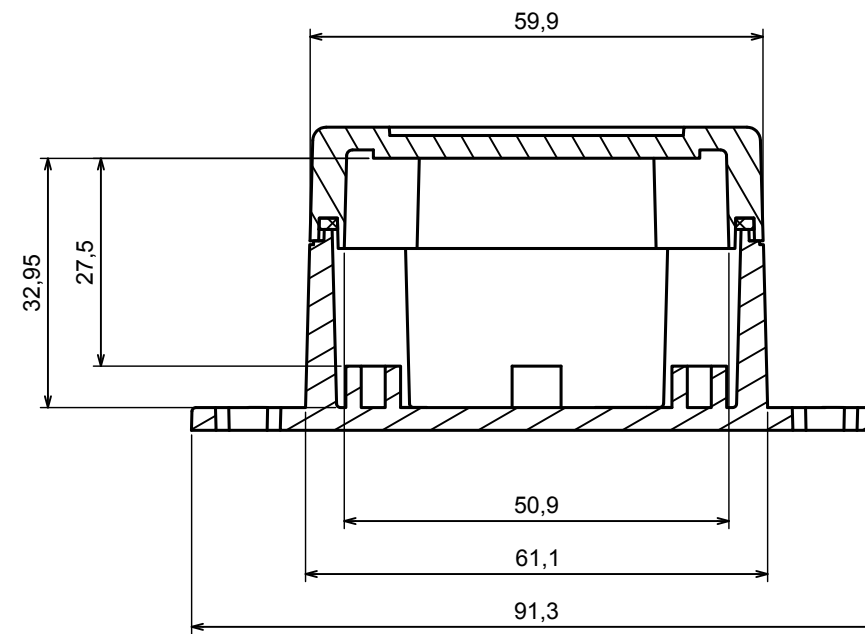


A |



A |

A-A



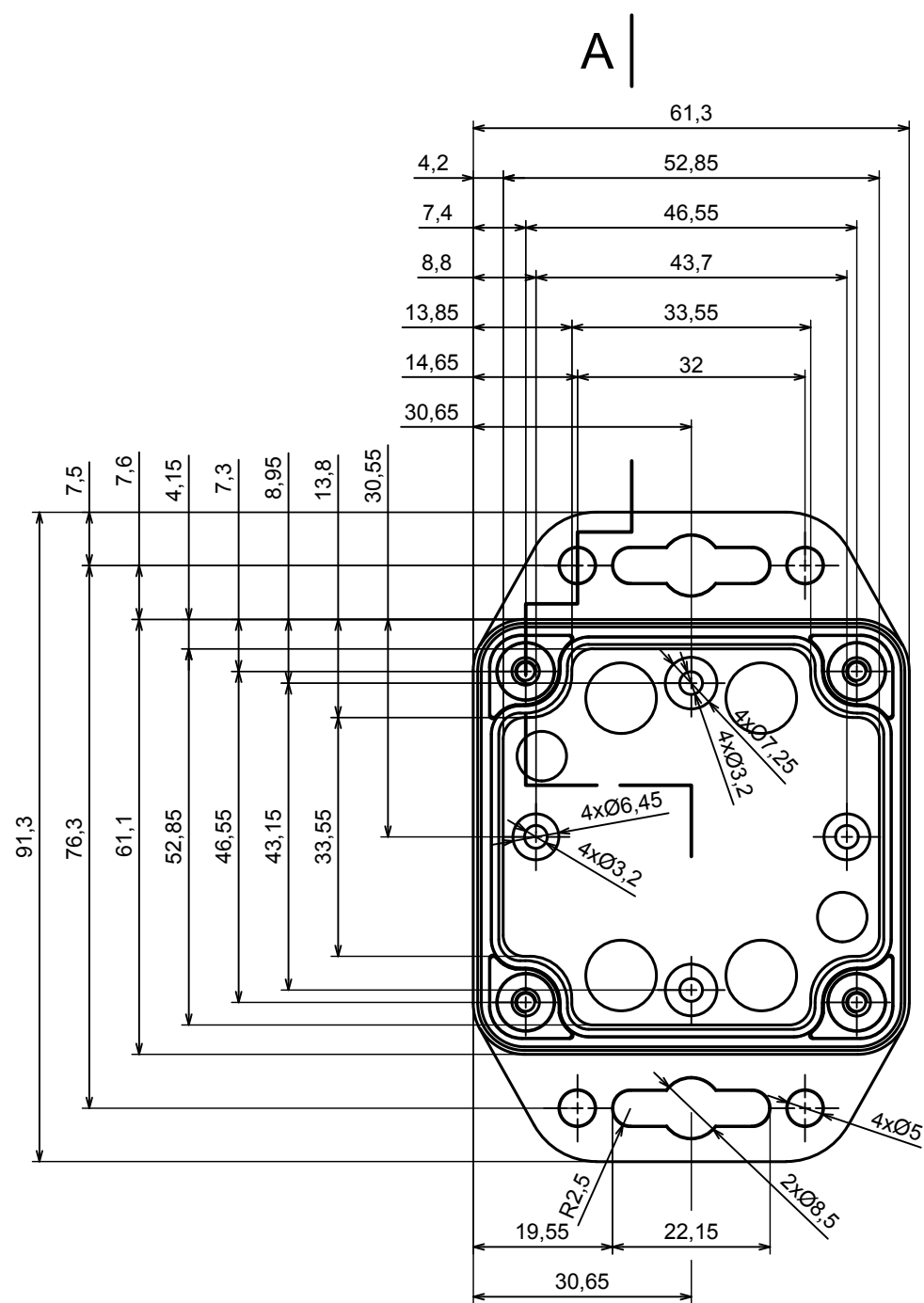
All rights reserved, Copyright Kradox 2020

Product model Enclosure ZP60.60.40SU TM - Assembly

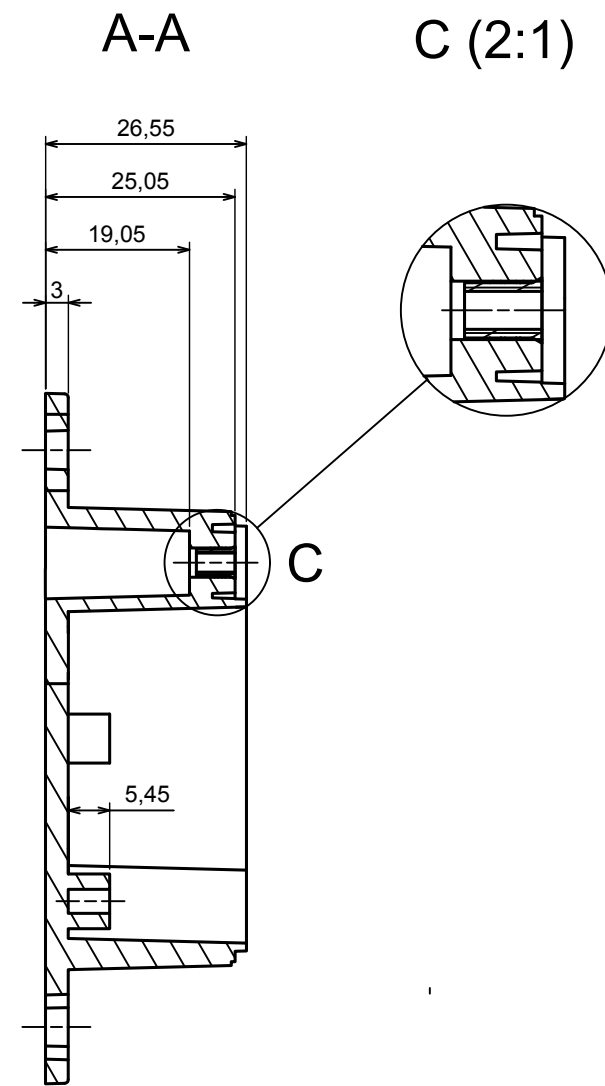
Format: A3 Material: PC, ABS

Scale 1:1 Tolerance: +/- 0.5





A |



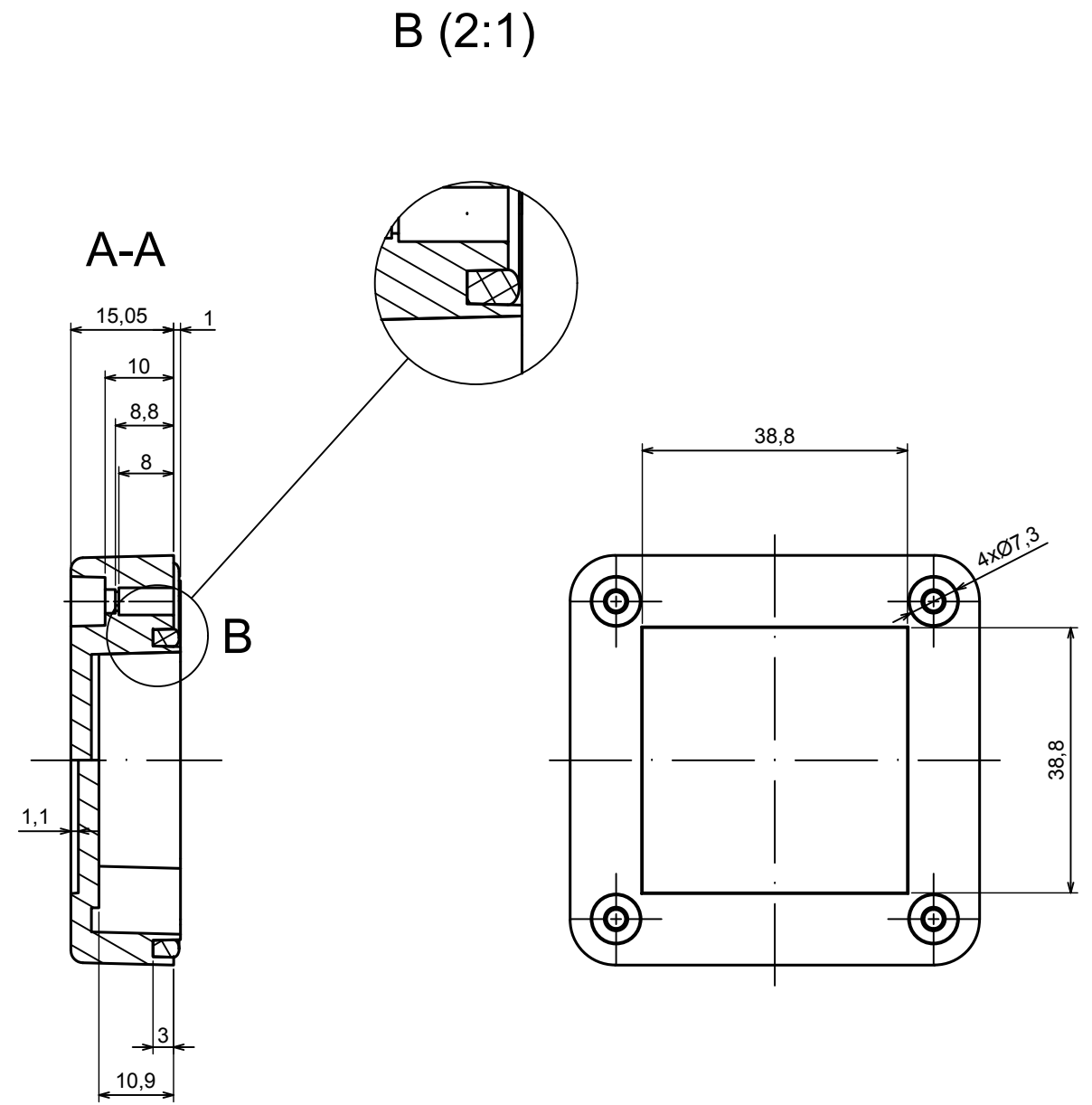
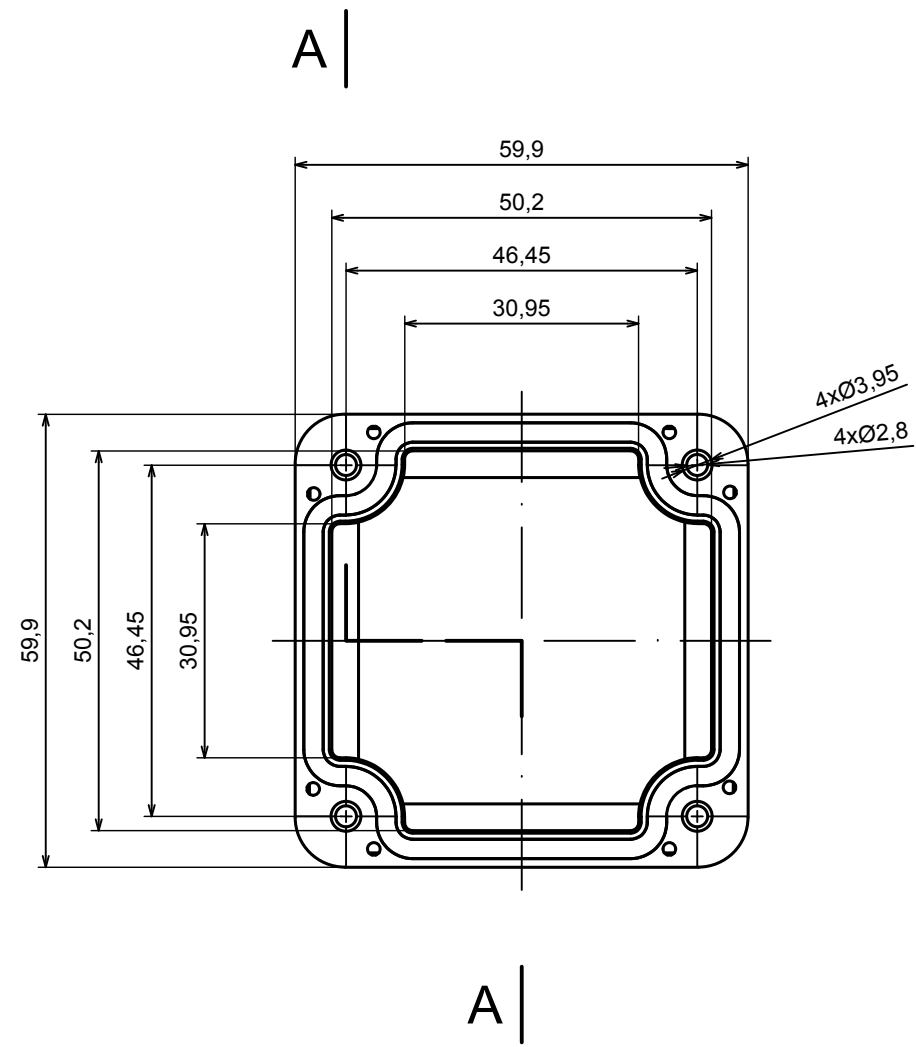
All rights reserved, Copyright Kradox 2020

Product model: Enclosure ZP60.60.40S TM - Base ZP60.60.25 TM

Format: A3 Material: PC, ABS

Scale 1:2 Tolerance: +/- 0.5





All rights reserved, Copyright Kradex 2020	
Product model	Enclosure ZP60.60.40S TM - Cover ZP60.60.15S
Format: A3	Material: PC, ABS
Scale 1:1	Tolerance: +/- 0.5

