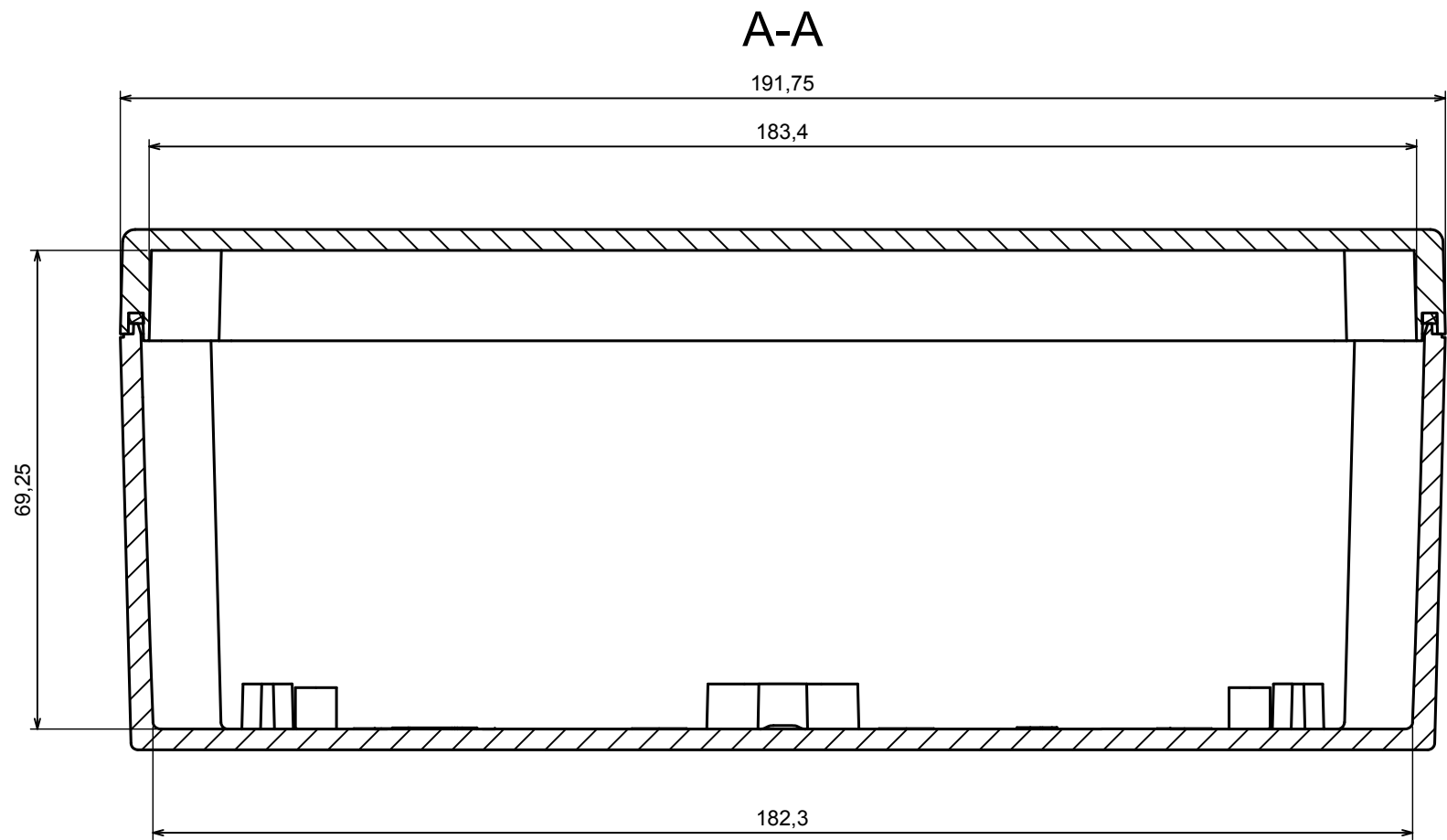


A |



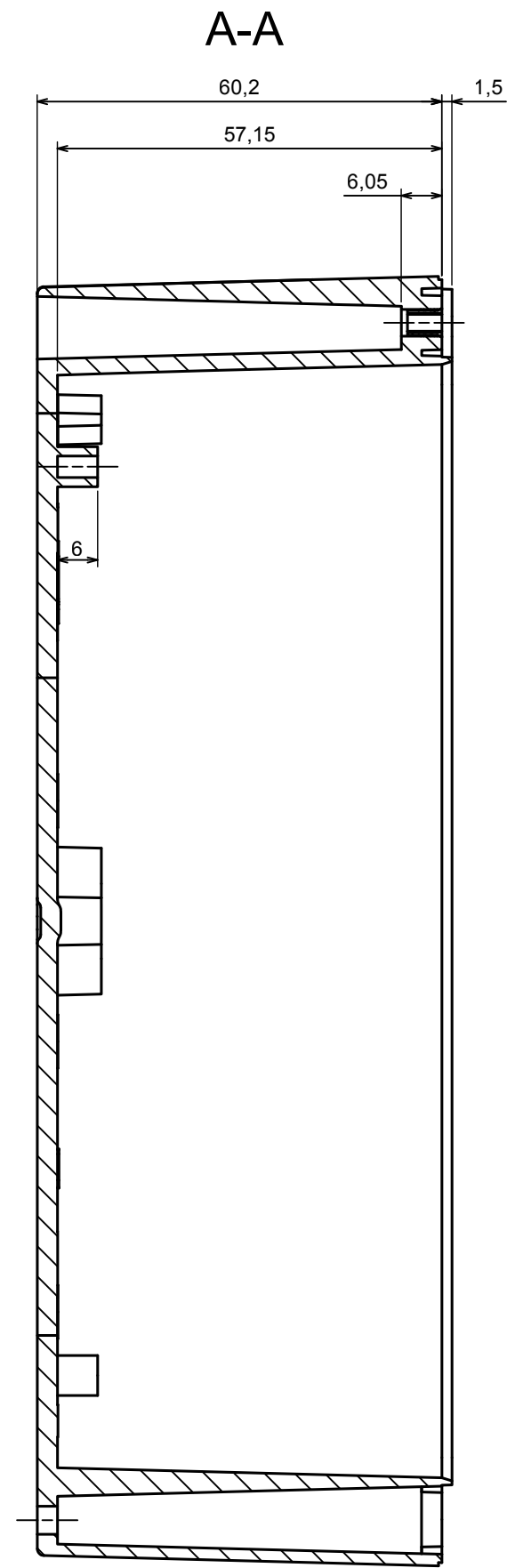
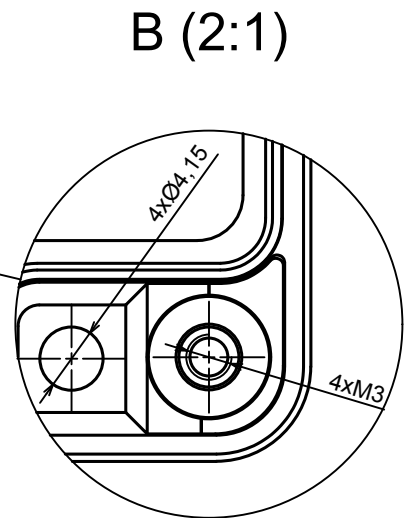
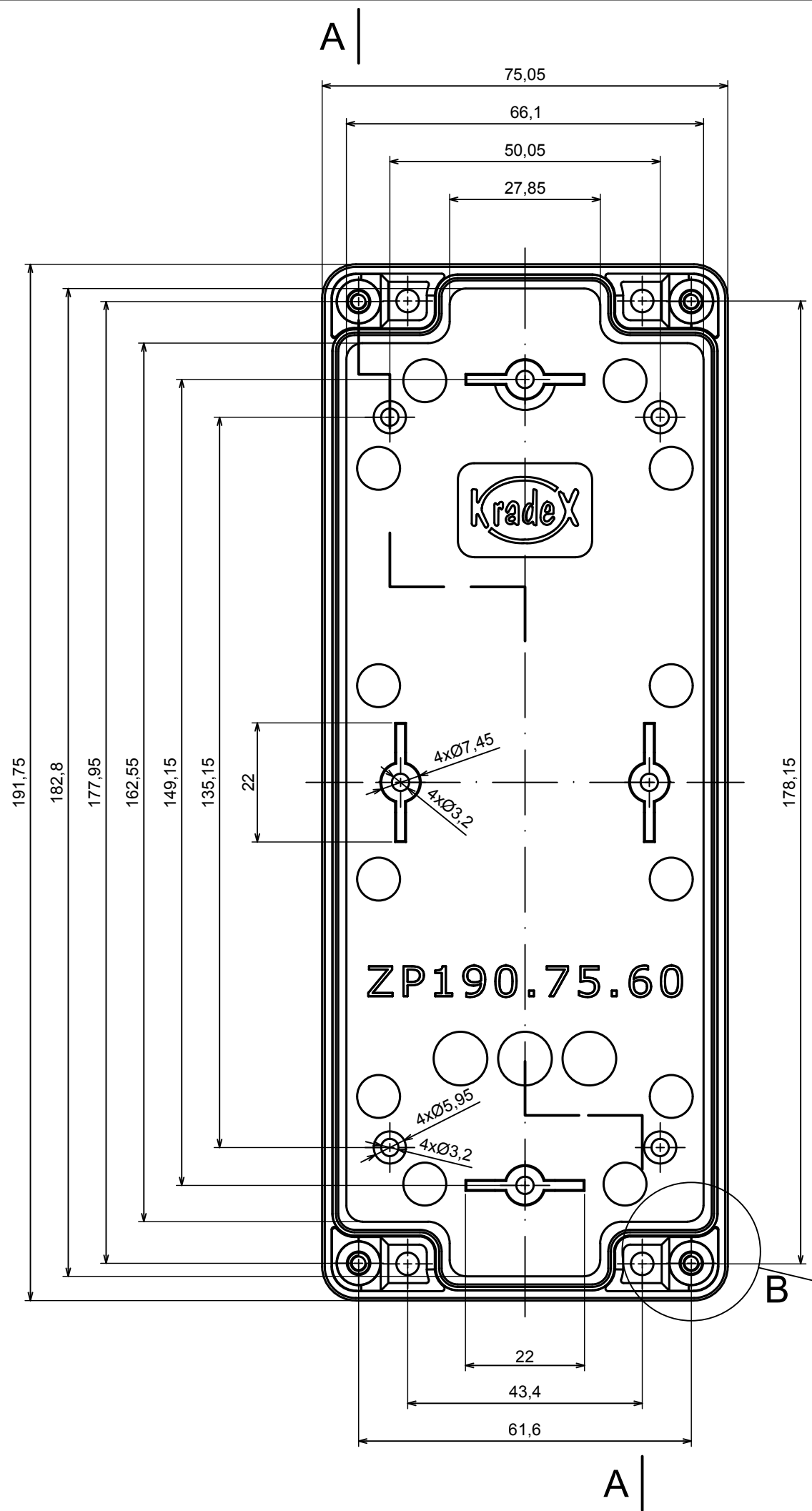
All rights reserved, Copyright Kradox 2019

Product model Enclosure ZP190.75.75S TM - Assembly

Format: A3 Material: PC, ABS

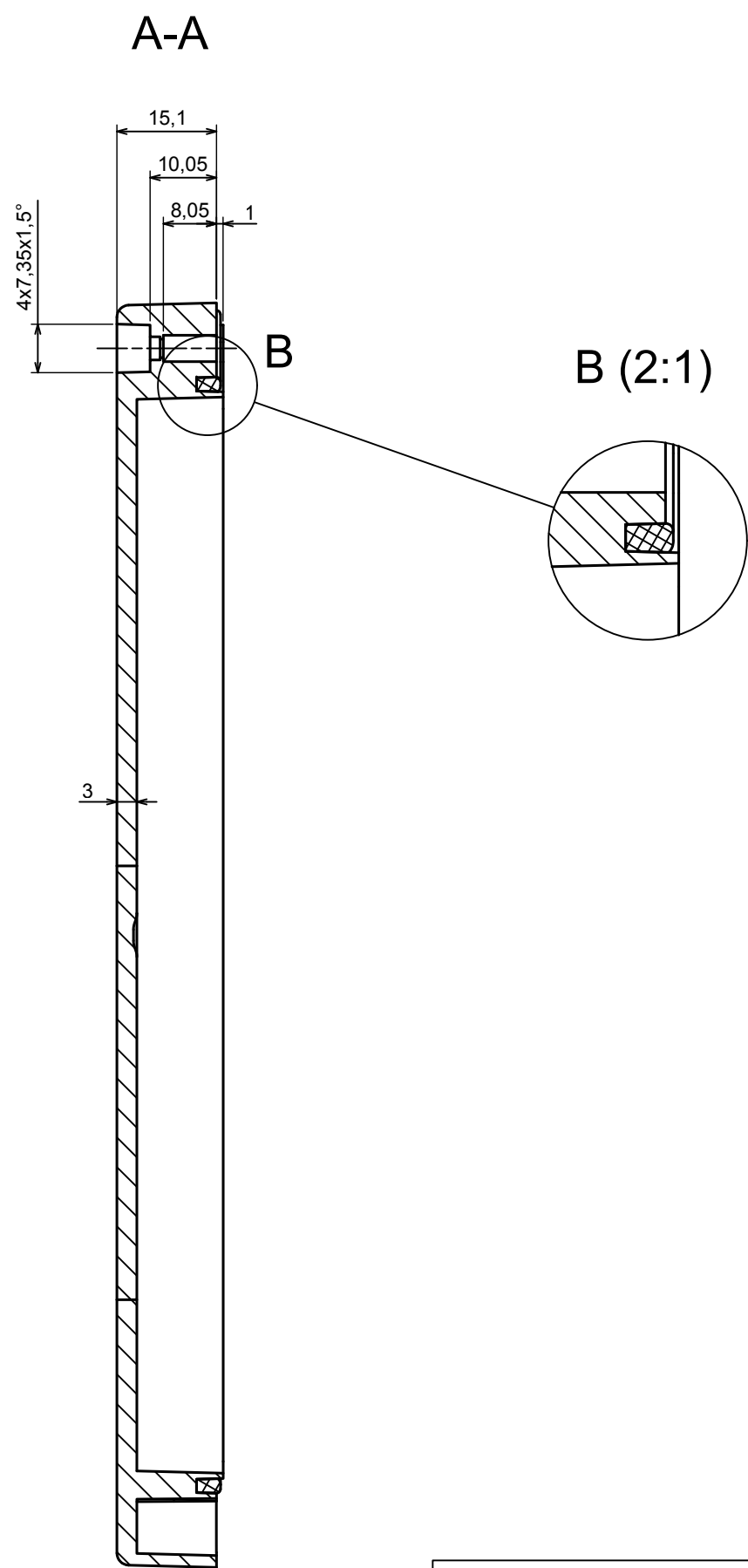
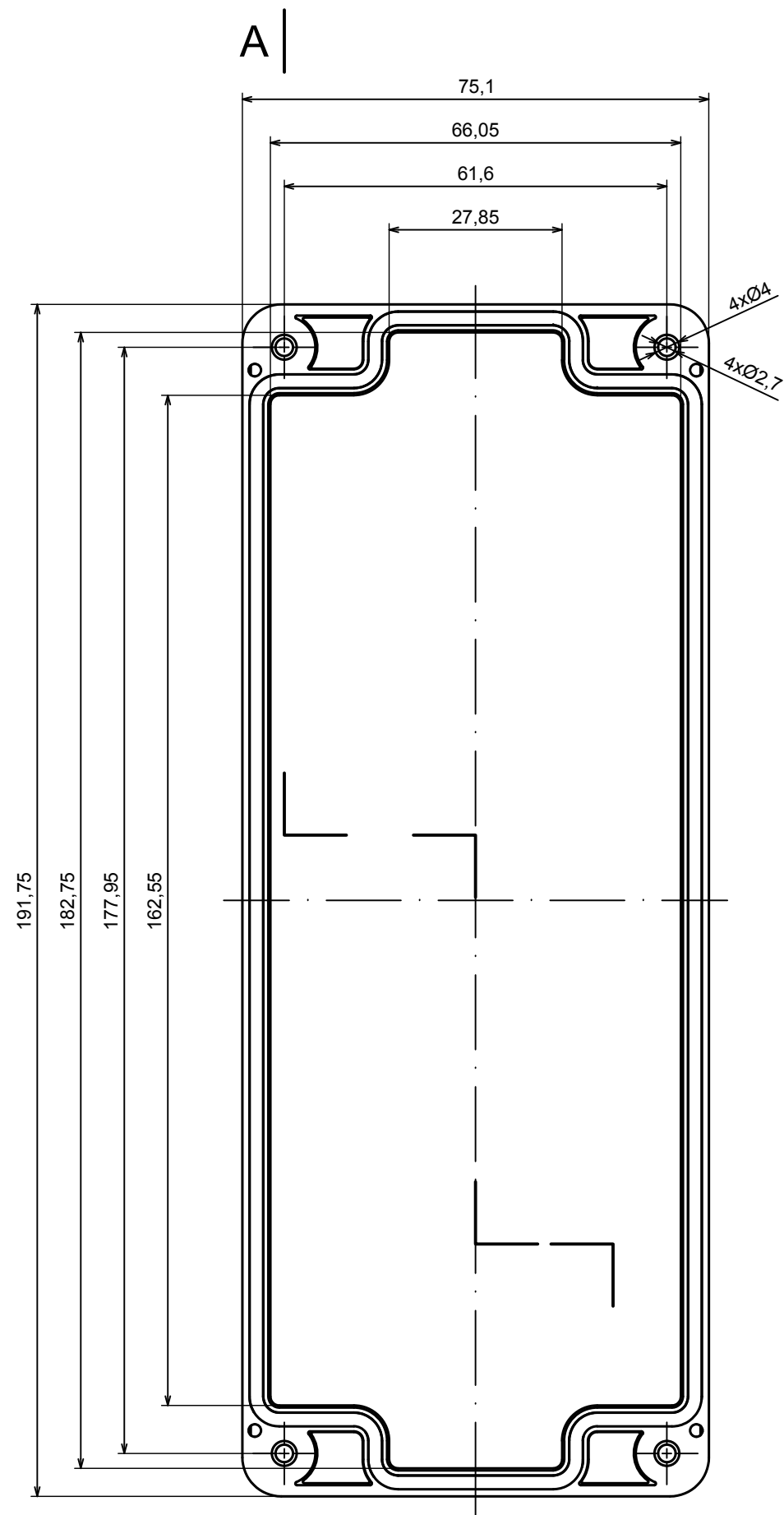
Scale 1:1 Tolerance: +/- 0.5





All rights reserved, Copyright Kradox 2019	
Product model	Enclosure ZP190.75.75S TM - Base ZP190.75.60 TM
Format: A3	Material: PC, ABS
Scale 1:1	Tolerance: +/- 0.5





All rights reserved, Copyright Kradox 2019	
Product model	Enclosure ZP190.75.75S TM - Cover ZP190.75.15S
Format: A3	Material: PC, ABS
Scale 1:1	Tolerance: +/- 0.5

