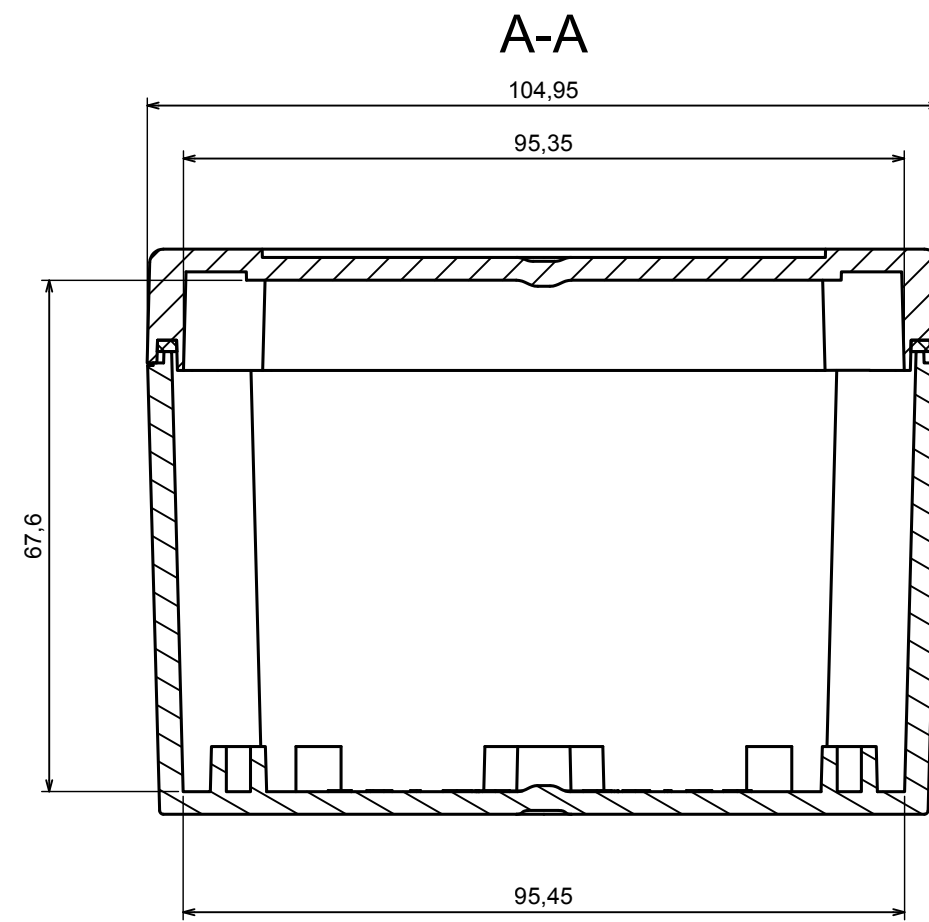


A |



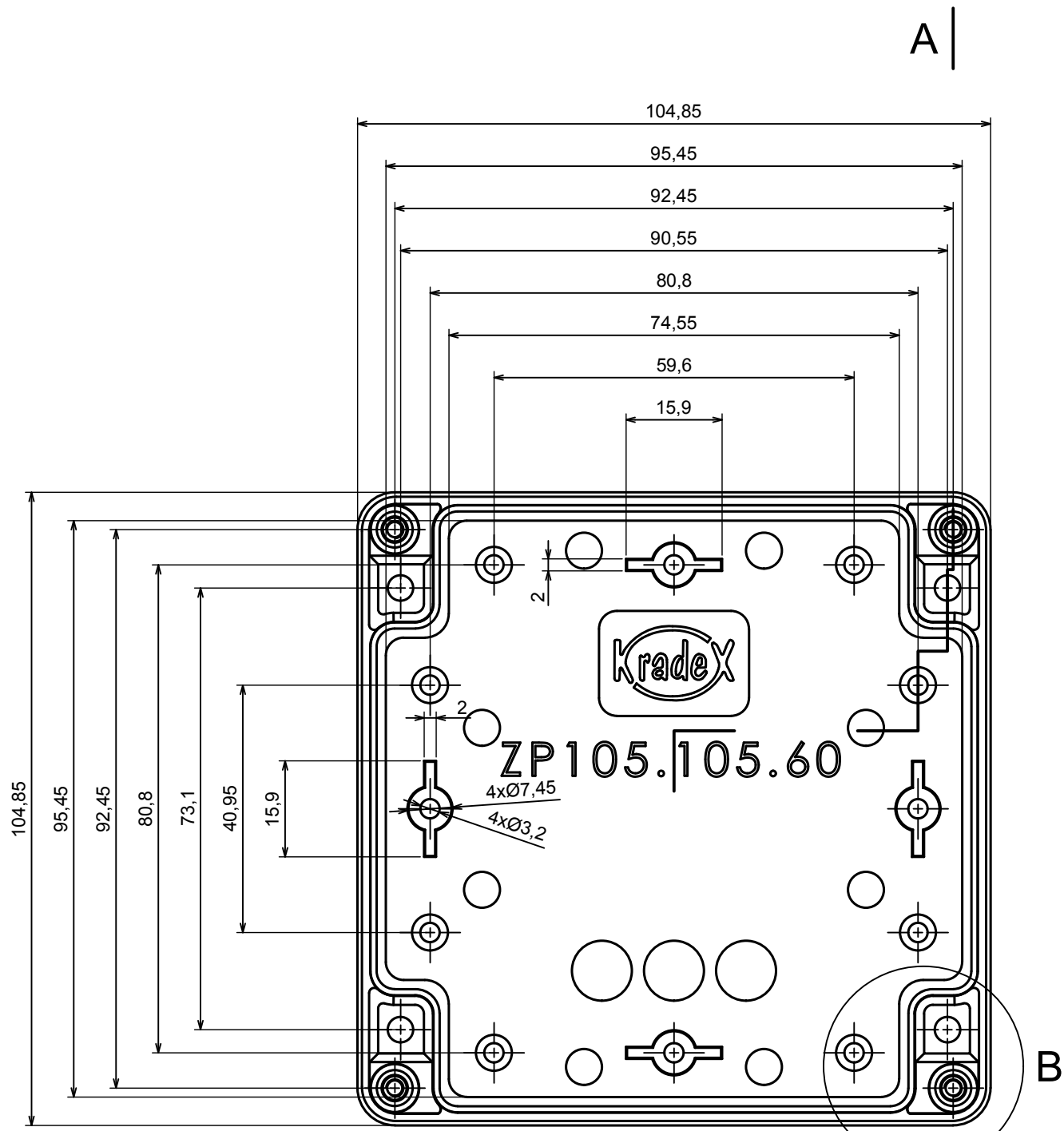
All rights reserved, Copyright Kradox 2018

Product model	Enclosure ZP105.105.75S TM - Assembly
---------------	---------------------------------------

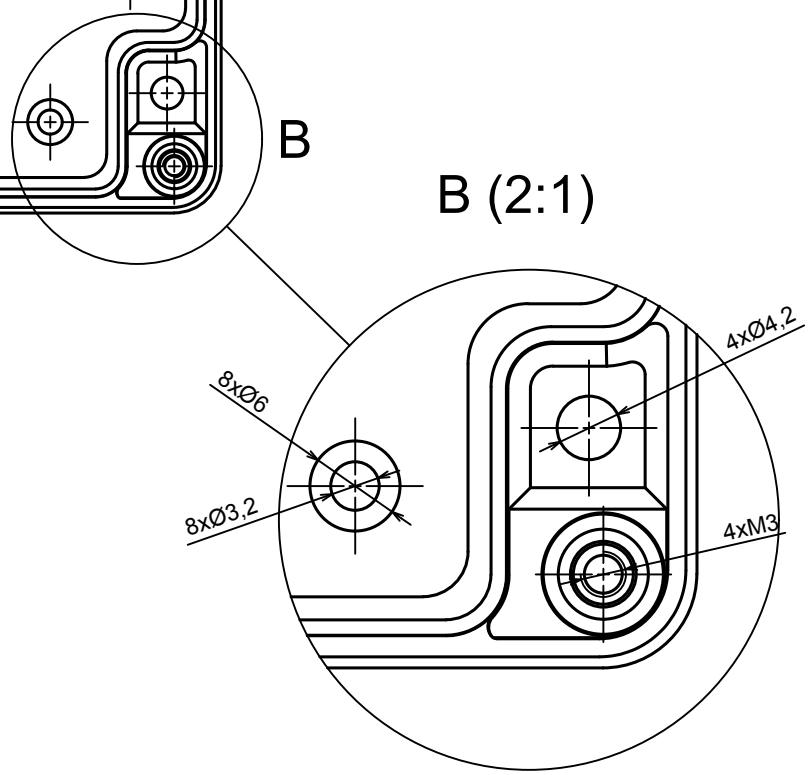
Format: A3	Material: PC, ABS
------------	-------------------

Scale 1:1	Tolerance: +/- 0.5
-----------	--------------------

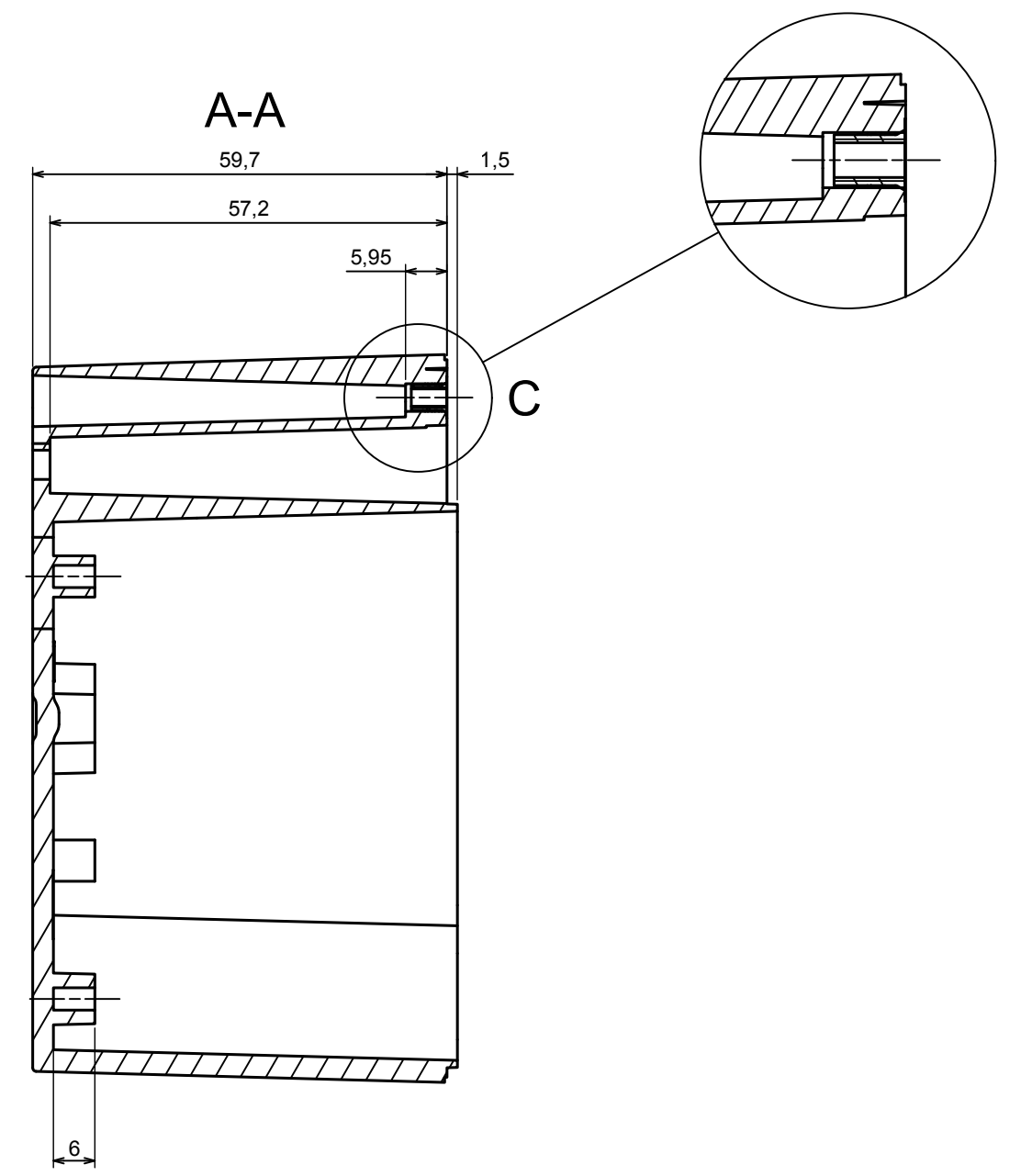




B (2:1)

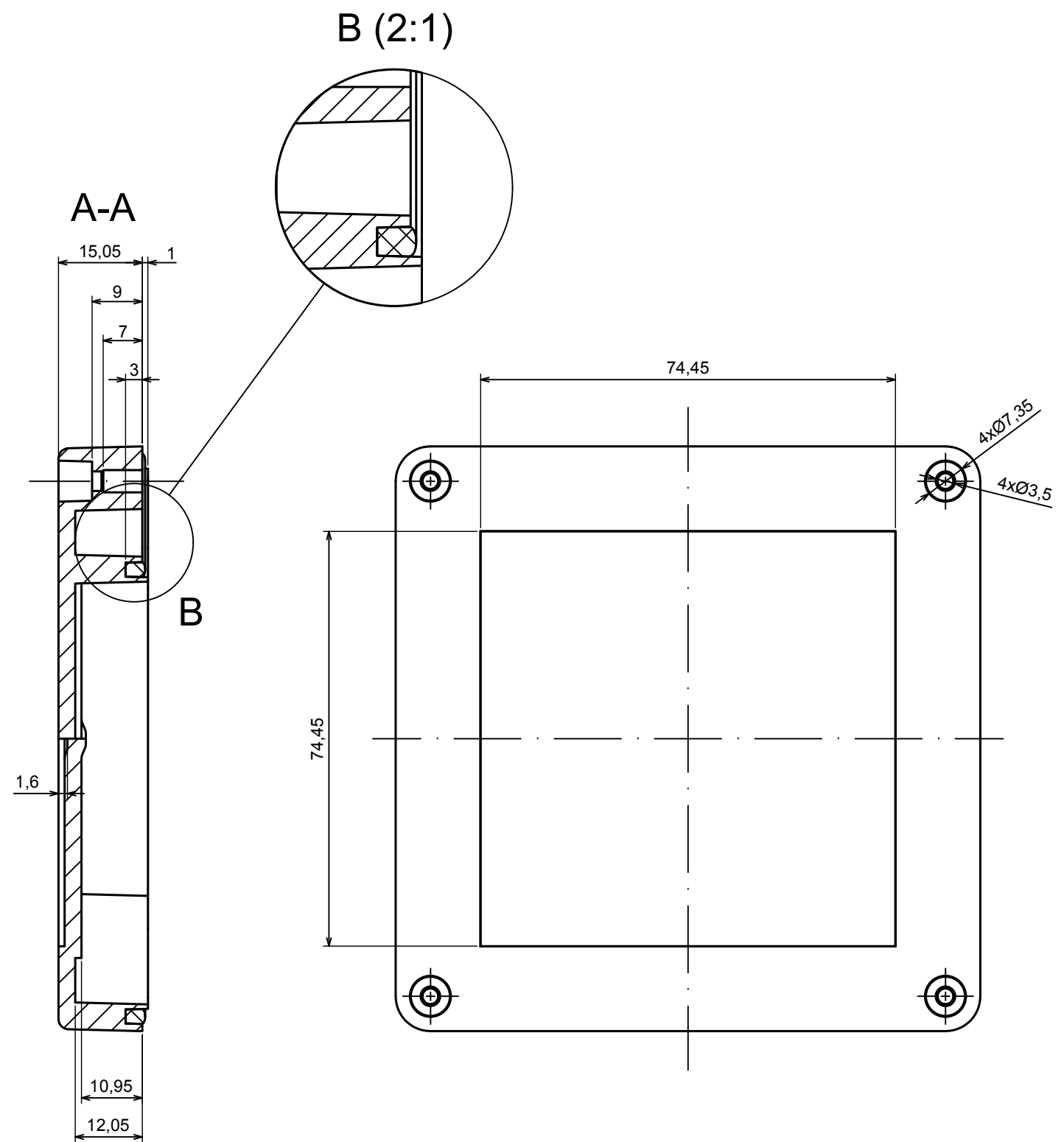
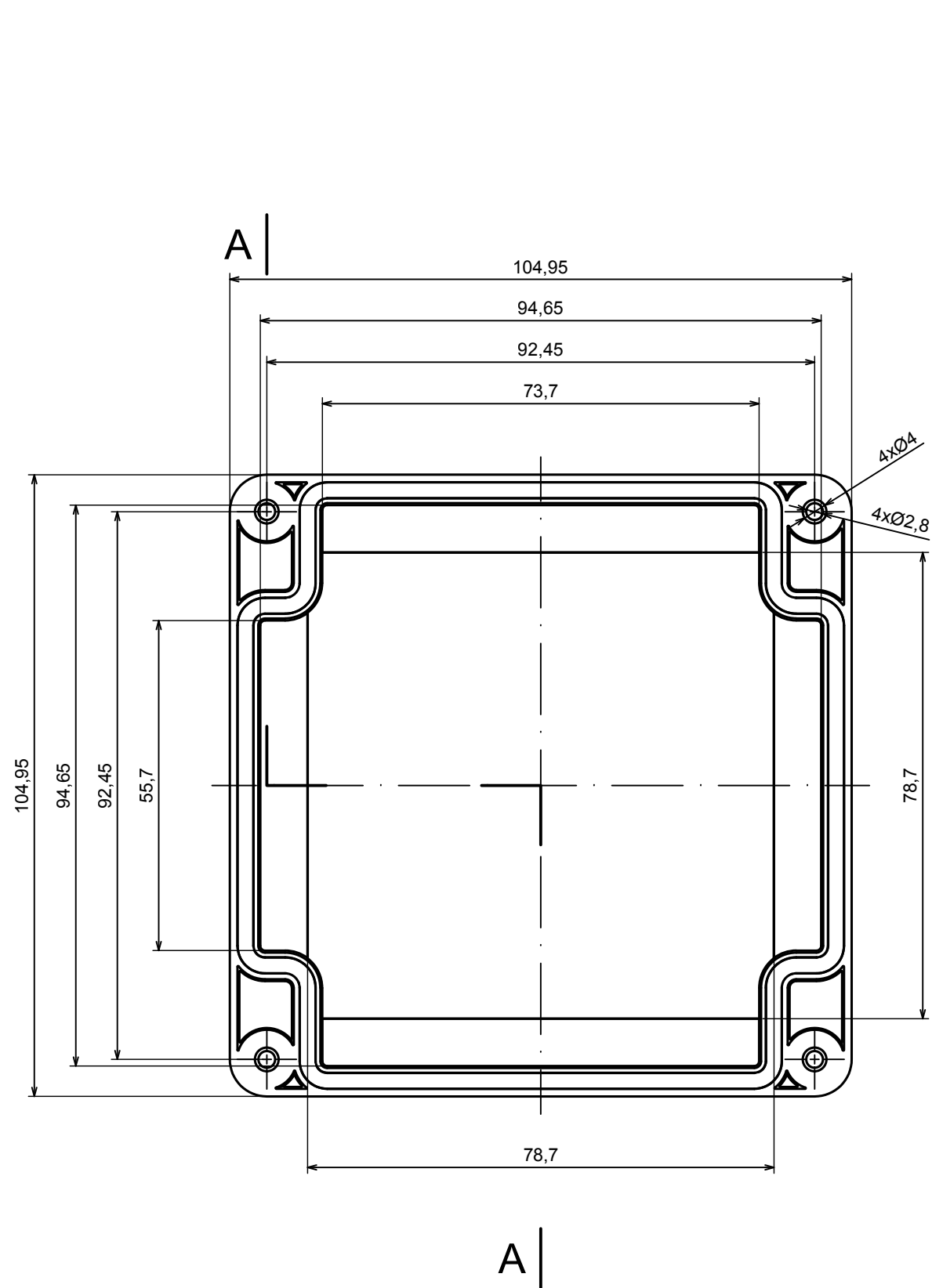


C (2:1)



All rights reserved, Copyright KradeX 2019	
Product model	Enclosure ZP105.105.75S TM - Base ZP105.105.60 TM
Format: A3	Material: PC, ABS
Scale 1:1	Tolerance: +/- 0.5





All rights reserved, Copyright Kradox 2019	
Product model	Enclosure ZP105.105.75S TM - Cover ZP105.105.15S
Format: A3	Material: PC, ABS
Scale 1:1	Tolerance: +/- 0.5

